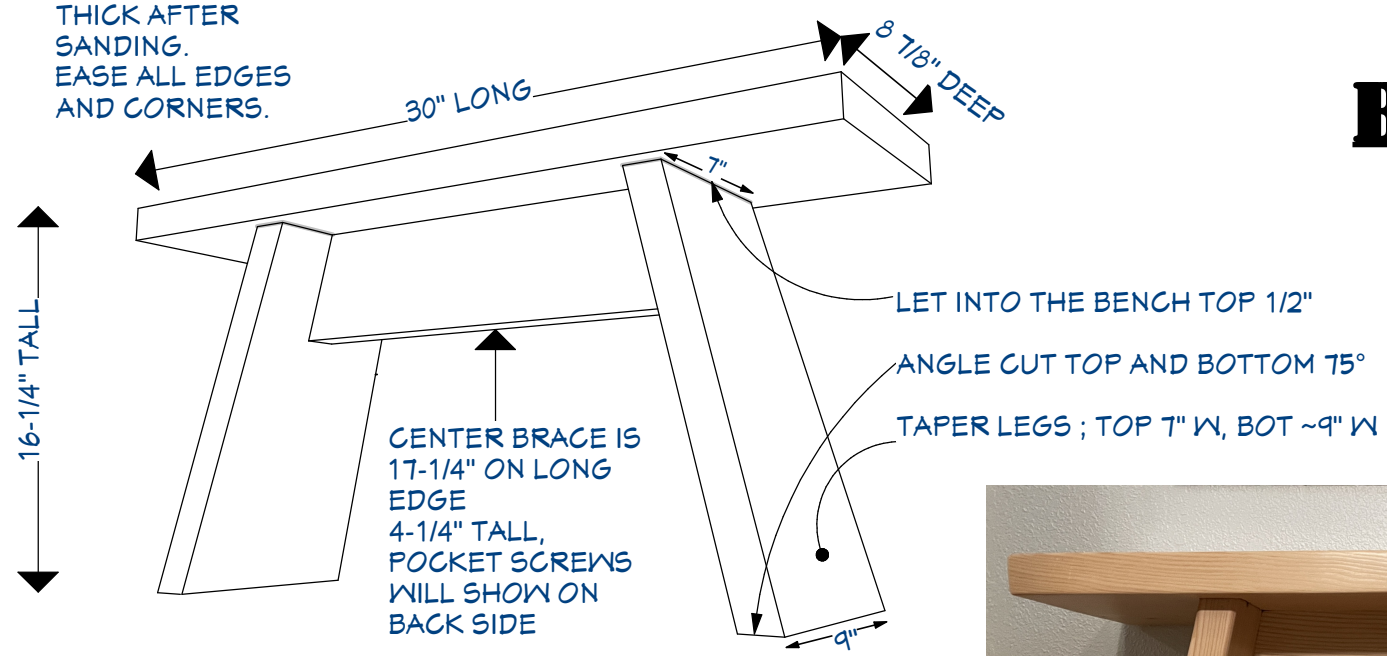
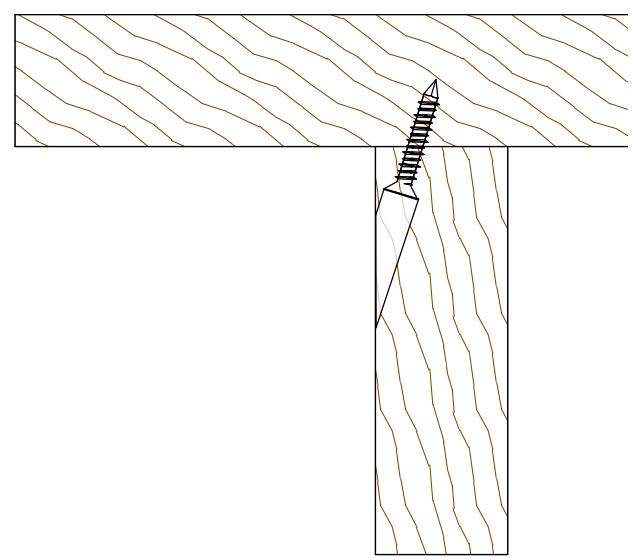


# BENCH

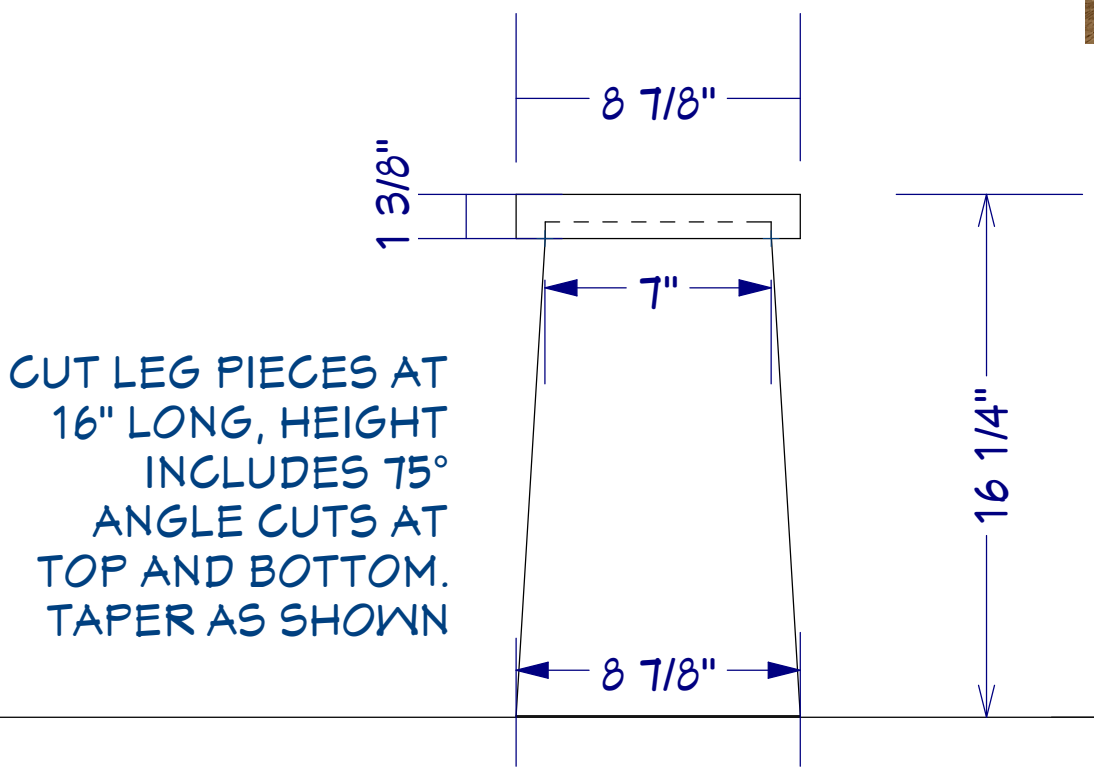
ALL BOARDS 1-3/8" THICK AFTER SANDING. EASE ALL EDGES AND CORNERS.



**BENCH OVER VIEW**  
 NOT TO SCALE

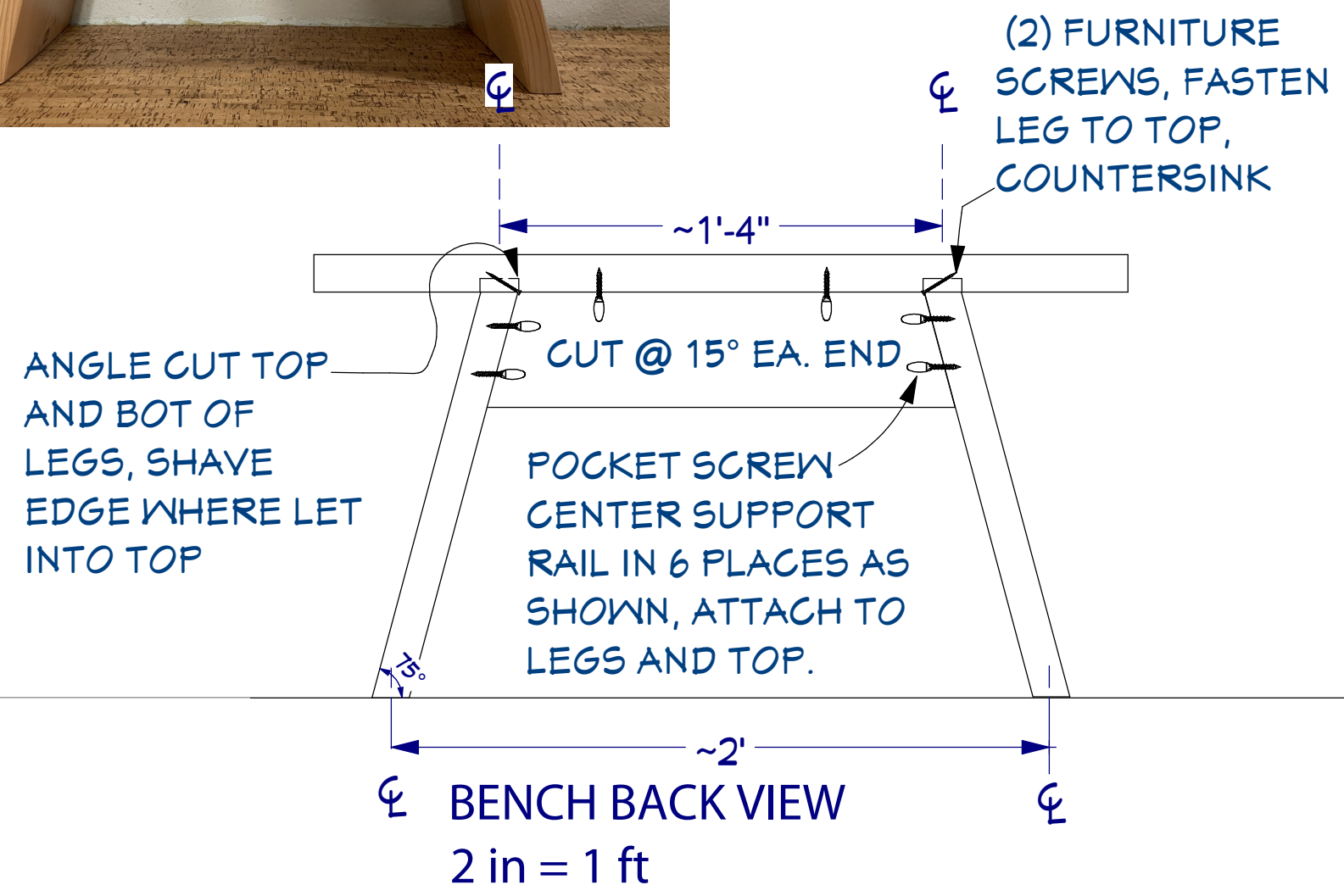


**POCKET SCREW**



CUT LEG PIECES AT 16" LONG, HEIGHT INCLUDES 75° ANGLE CUTS AT TOP AND BOTTOM. TAPER AS SHOWN

**BENCH SIDE VIEW**  
 2 in = 1 ft



**BENCH BACK VIEW**  
 2 in = 1 ft